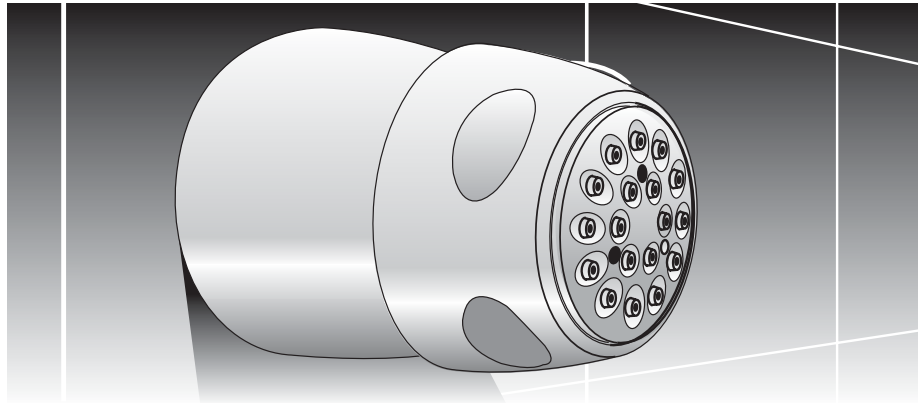


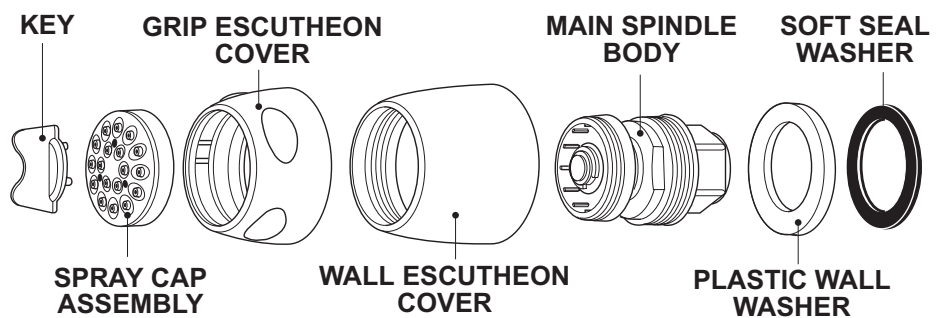
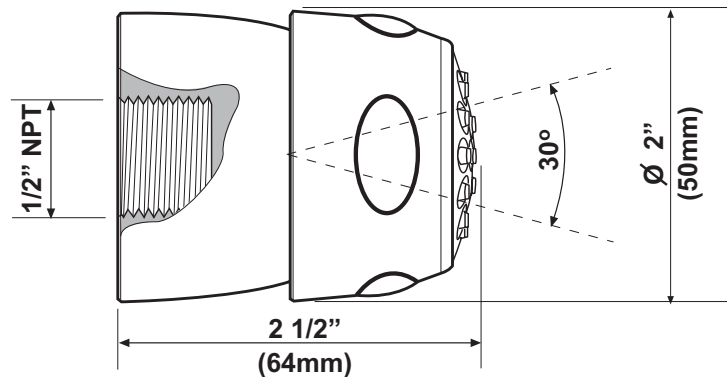
# Body Spray

## INSTALLATION INSTRUCTIONS



### PRODUCT INFORMATION

|                 |  |
|-----------------|--|
| MODEL           | OBEN BODY SPRAY                                |
| PRODUCT CODE    | 01-0101-XXXX                                   |
| PIPE FITTING    | 1/2" NPT (FEMALE THREAD)                       |
| CODE COMPLIANCE | MEETS OR EXCEEDS<br>ASMC B112.18.1<br>CSA B125 |



## Dismantle for Installation

1. Using Key, unscrew Spray Cap anticlockwise and remove.
2. Unsrew and remove Grip Escutheon Cover.
3. Unsrew and remove Wall Escutheon Cover from Main Spindle Body.



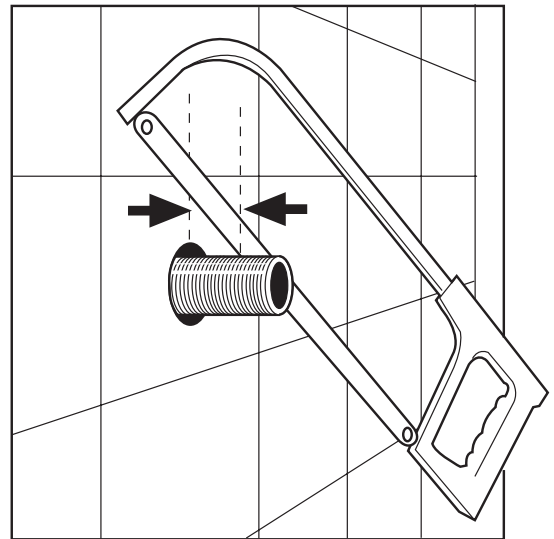
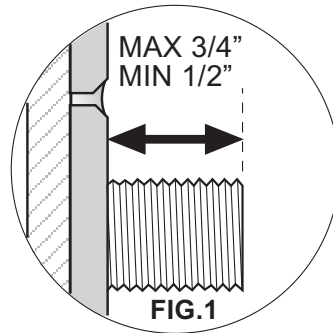
### CAUTION

Building Codes and Regulations can vary from State to State. It is the Installers responsibility to ensure that installation is in accordance with Local Building Authority.

# Installation of Body Spray

## 1. Cut pipe to correct length

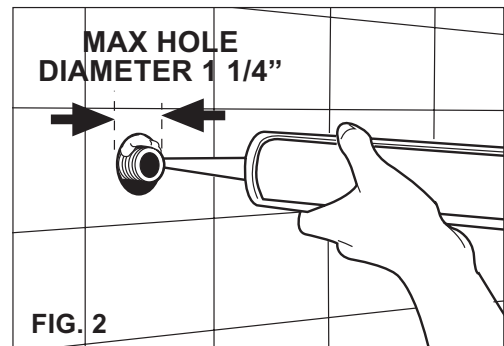
Cut pipe, protruding from shower wall, to the correct length as shown. The pipe should be measured from the finished wall lining and be trimmed to length as per Fig. 1



## 2. Seal Wall Opening

Fill the gap between pipe and wall with approved sealant to effect a watertight seal.

NOTE: Maximum hole in tile or shower wall should not exceed 1 1/4" diameter.



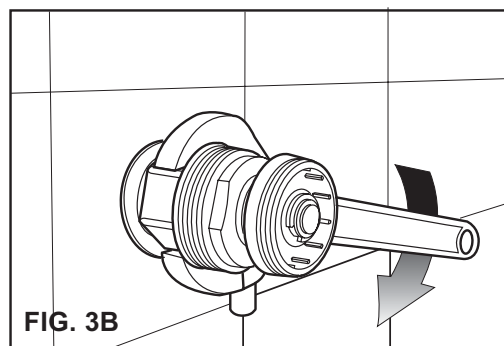
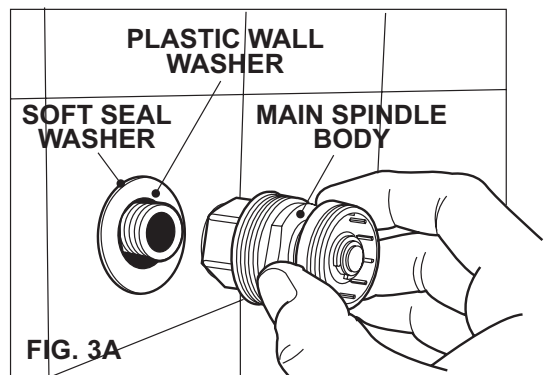
## 3. Fit Jet Body

Place Soft Seal Washer and Plastic Wall Washer over pipe.

Screw Main Jet Body assembly to pipe spigot and tighten to effect a watertight seal.

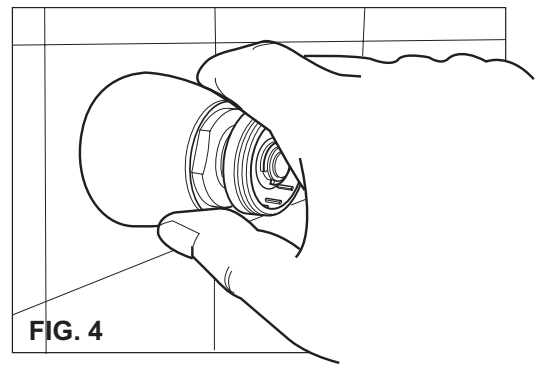


**NOTE: Do not distort Wall Washer by overtightening.**



#### 4. Fit Wall Cover Escutcheon

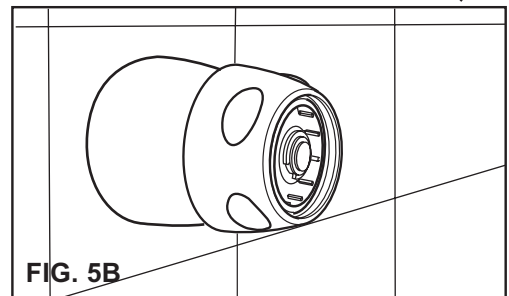
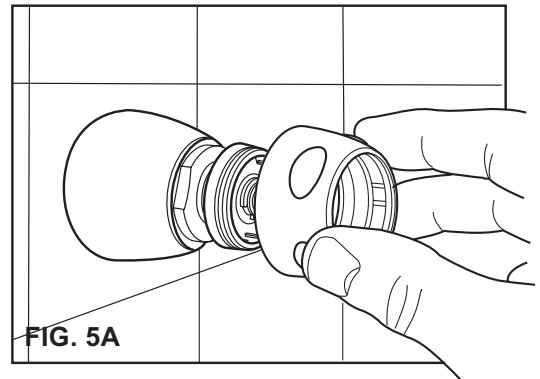
Fit Wall Cover Escutcheon to Jet Body and screw into position (hand tighten only) until it seats firmly against shower wall.



#### 5. Fit Grip Cover Escutcheon

Position Grip Cover Escutcheon over the Main Jet Body (5A).

Push back into position and rotate ensuring Grip Cover Escutcheon is seated correctly on Main Jet Body (5B).

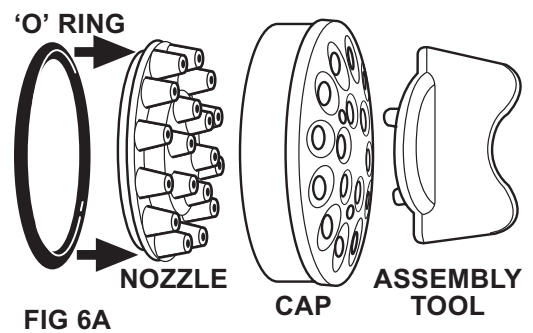


#### 6. Fit Spray Nozzle / Cap Assembly

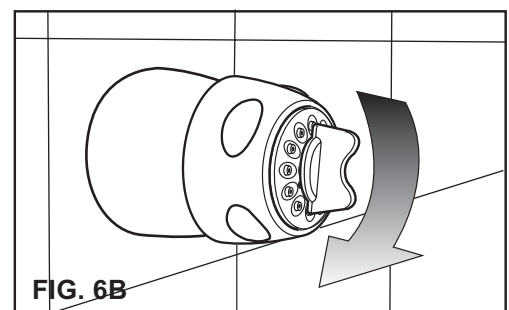
Ensure the 'O' Ring is seated correctly on to Spray Nozzle ( Fig. 6A).

Fit spray Nozzle into cap ensuring nozzles protrude beyond the cap surface.

Use Assembly Tool to screw Cap Assembly into position.



**Caution: Do not overtighten.**

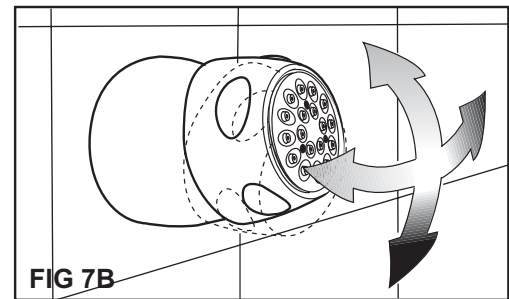
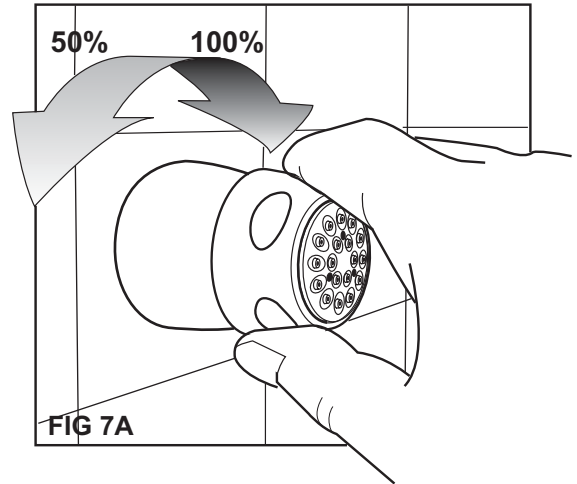


## 7. Volume Control / Spray Direction.

Increase volume by rotating clockwise (Fig.7A).

Decrease volume by rotating anticlockwise to a minimum of 50% (Fig.7A).

To alter spray direction, rotate Cover Escutcheon to desired position (Fig.7B).



## Care and Maintenance

### GENERAL CLEANING

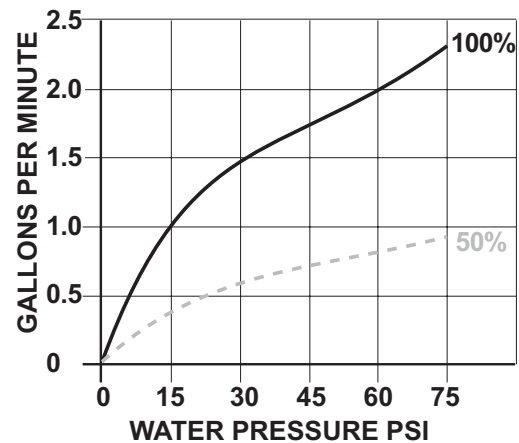
Do not use abrasive cleaners. A mixture of warm water and a mild liquid detergent is adequate for most cleaning.

### DO NOT USE

Cleaners containing ammonia, bleach or other chemicals that can damage plated and plastic surfaces.

Consult Oben Price List for complete warranty details, ordering information and product availability.  
Oben Body Sprays are restricted to a maximum flow rate of 2.5gpm at 80psi / 9.5Lpm.

## Flow Rates



# oben

SINCE 1923

T: 877-401-4750 F: 877-401-4755  
www.oben.us E: info@oben.us

Oben reserves the rights to alter designs, materials and specifications without notice.  
WARNING: Products illustrated, are subject to Intellectual Property Protection, Copyright and International Patents.  
All dimensions given are approximate and should be checked prior to installation.