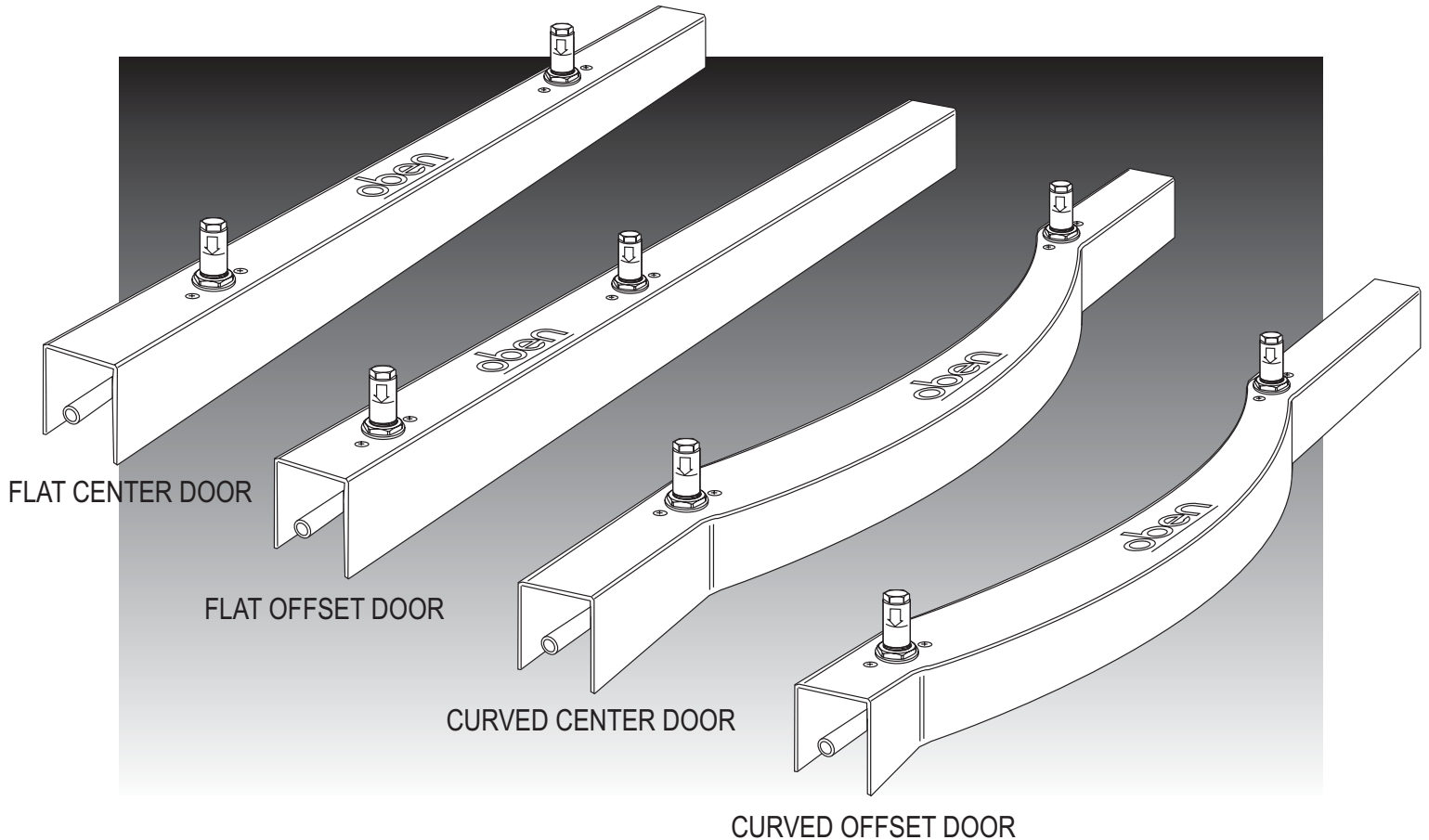


## Alcove pre-plumbed, Tiled Threshold Installation Guide



### **Important.**

Oben recommends that a licensed contractor perform the installation in accordance with manufacturers installation instructions.

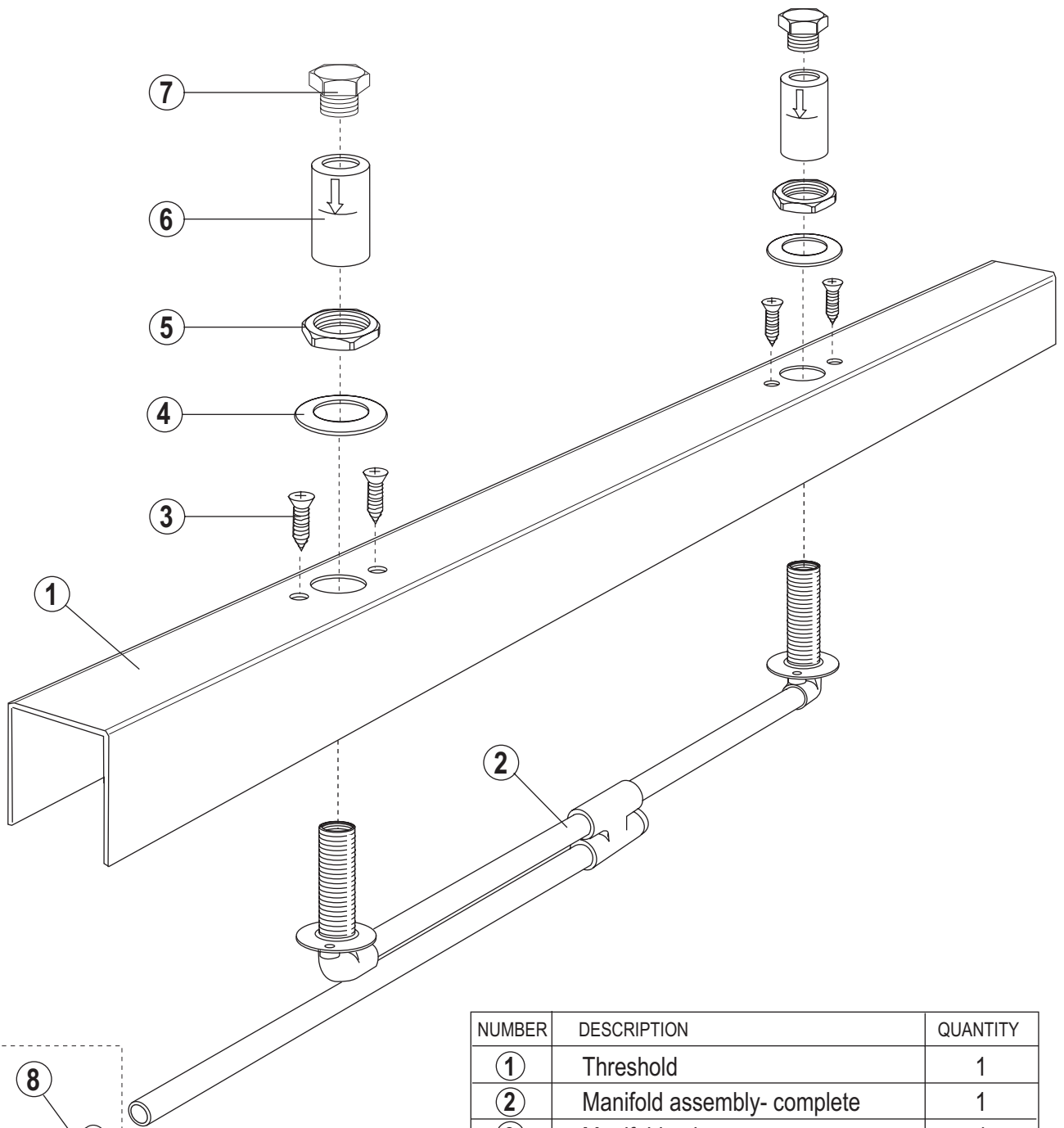


### **Caution**

Product warranty void if Pre-Plumbed Threshold is not installed in accordance with manufacturers installation instructions.

Note: - Building Codes and Regulations can vary from State to State. It is the installer's responsibility to ensure that installation is in accordance with Local Building Authority

# THRESHOLD PARTS AND ASSEMBLY




  
**SUPPLIED IN  
 ACCESSORY  
 BAG WITH  
 THRESHOLD**

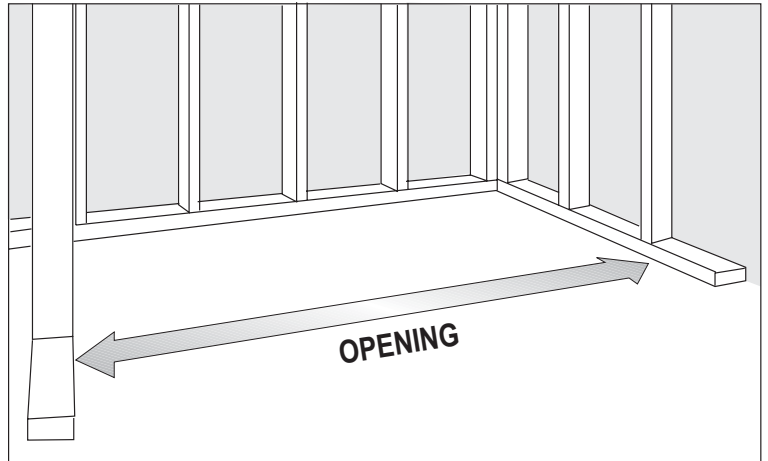
NUMBER	DESCRIPTION	QUANTITY
①	Threshold	1
②	Manifold assembly- complete	1
③	Manifold union screw	4
④	Stainless steel washer	2
⑤	Clamp Nut	2
⑥	Protection cap (yellow)	2
⑦	Test plug	2
⑧	Coupling	1
⑨	Elbow	1

# THRESHOLD INSTALLATION

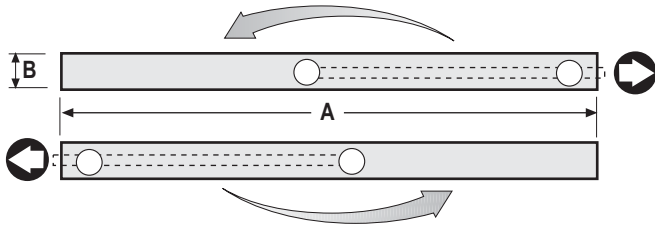
## 1. Dimensions

Determine opening size required and threshold plumbing connection side (Left or Right).

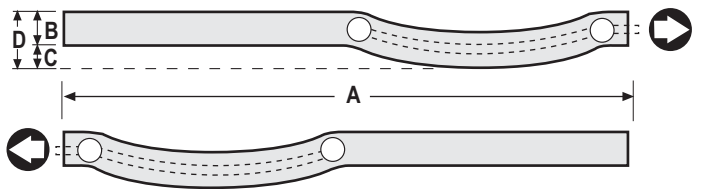
**FOR NON-STANDARD OPENING SIZE  
SEE SECTION 14**



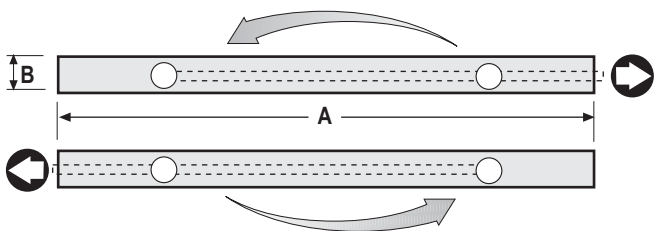
### FLAT OFFSET DOOR (Reversible)



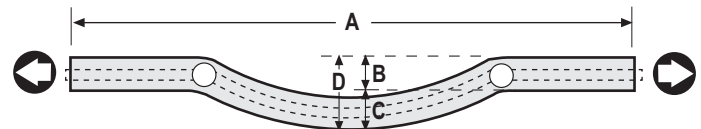
### CURVED OFFSET DOOR




### FLAT CENTER DOOR (Reversible) FLAT DOOR ONLY (Reversible)



### CURVED CENTER DOOR



 Plumbing connection

Configuration	Model	Size	Door	Reversible	(A)	(B)	(C)	(D)
Flat - Off Set Door	Alcove	72"	L/H - R/H	Yes	71"	4"		
Flat - Off Set Door	Alcove	60"	L/H - R/H	Yes	59"	4"		
Flat - Center Door	Alcove	72"	Center	Yes	71"	4"		
Flat - Center Door	Alcove	60"	Center	Yes	59"	4"		
Flat - Center door	Alcove	48"	Center	Yes	47"	4"		
Flat - Door only	Alcove	42"	L/H - R/H	Yes	41"	4"		
Flat - Door only	Alcove	36"	L/H - R/H	Yes	35"	4"		
Curved -Off Set Door	Alcove	72"	L/H - R/H	No	71"	4"	2"	6"
Curved -Off Set Door	Alcove	60"	L/H - R/H	No	59"	4"	2"	6"
Curved - Center Door	Alcove	72"	Center	No	71"	4"	5"	9"
Curved - Center Door	Alcove	60"	Center	No	59"	4"	5"	9"
Curved - Center Door	Alcove	48"	Center	No	47"	4"	4"	8"

L / H = Left Hand    R / H = Right Hand

## 2. Attach Plumbing Manifold to Threshold

2a. Place Silicone caulking around each union flange and attach Pre-Plumbed manifold assembly to threshold.

2b. Determine side of water supply inlet, position manifold assembly through holes in threshold.

2c. Screw manifold to threshold.

### 2d. IMPORTANT

Cutting to custom length:

**Step 1.** Remove manifold assembly from threshold.

**Step 2.** Cut threshold to required length (see section 14)

**Step 3.** Cut copper supply pipe to correct length **before** re-assembly into threshold

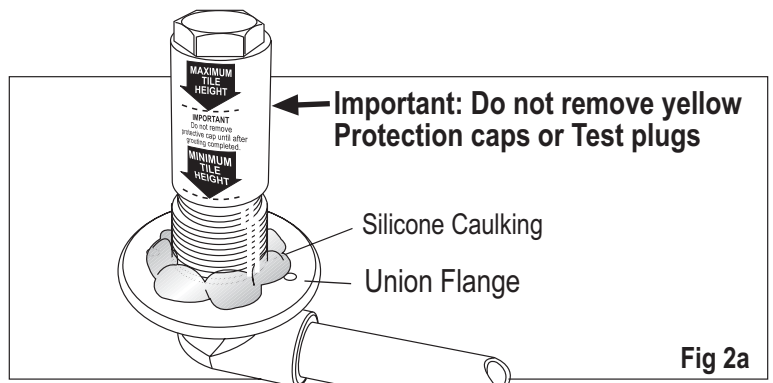


Fig 2a

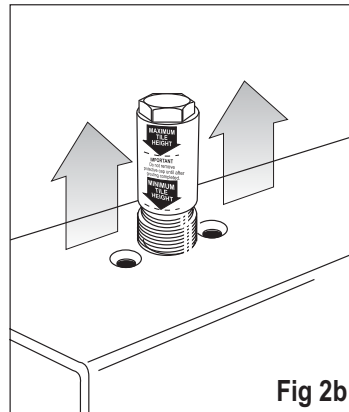


Fig 2b

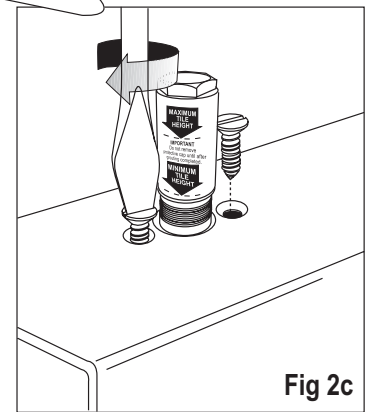


Fig 2c

## 3. Threshold Positioning

3a. Place threshold into temporary position on sub floor and measure depth required.

### IMPORTANT

It is the contractor's responsibility to ensure shower compartment shall comply with UPC Code (Chapter 4) and have a minimum finished interior size to encompass a thirty inch (30") circle.

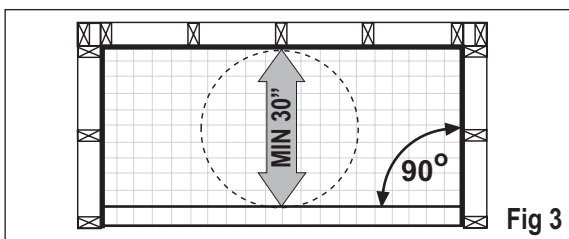


Fig 3

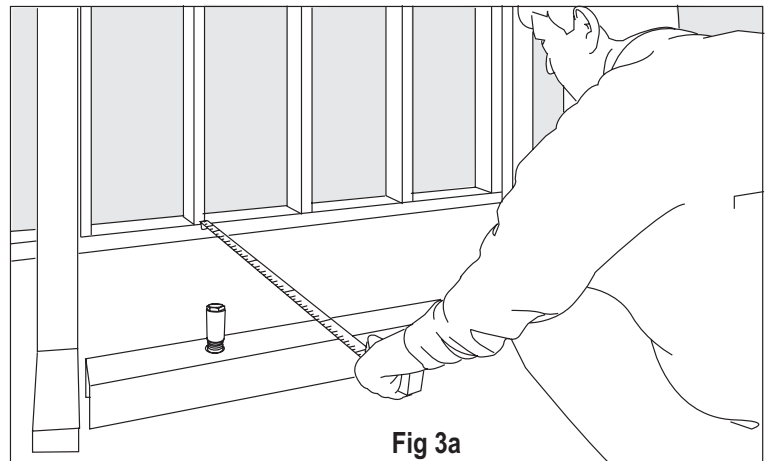


Fig 3a

3b. Mark stud opening center point

### IMPORTANT

3c. Measure opening and mark floor at the center point. Align this center point with the pre-marked center line on threshold.

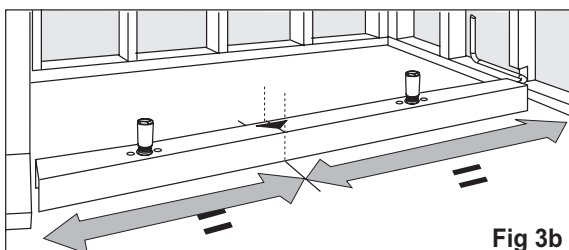


Fig 3b

**FOR NON-STANDARD OPENING SIZE  
SEE SECTION 14**

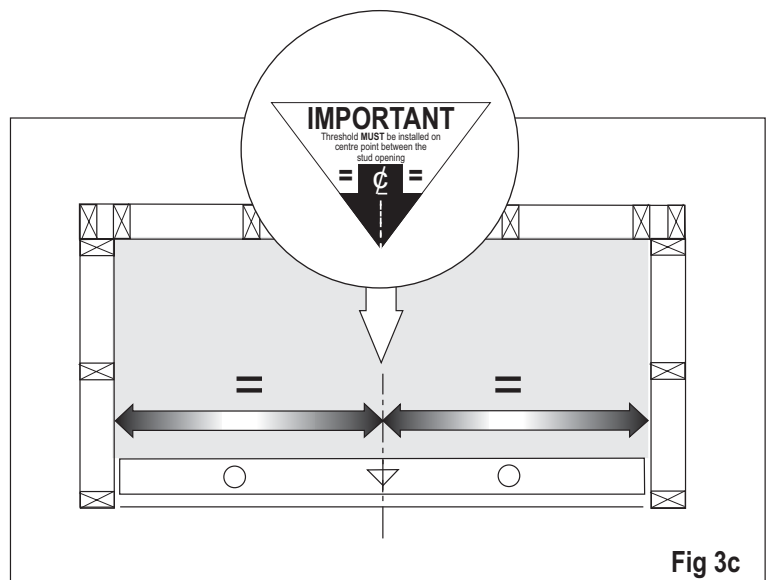
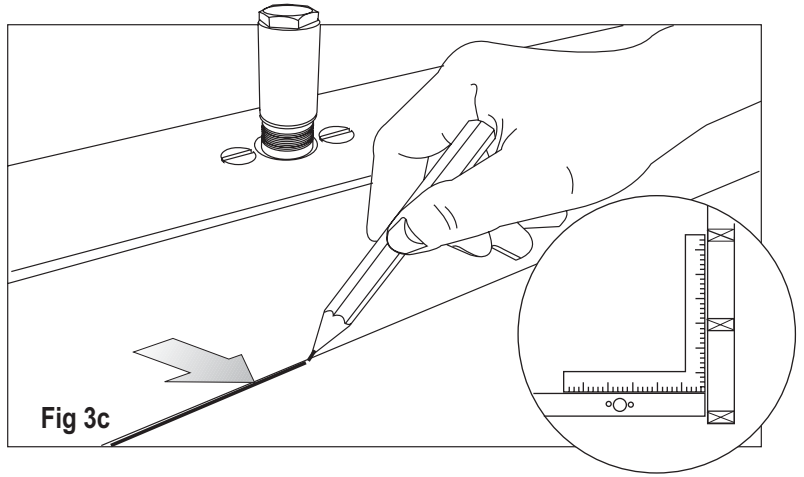


Fig 3c

3c. Ensure threshold is square to walls and mark sub floor along front edge of threshold profile.

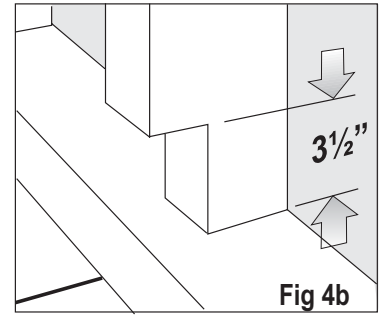
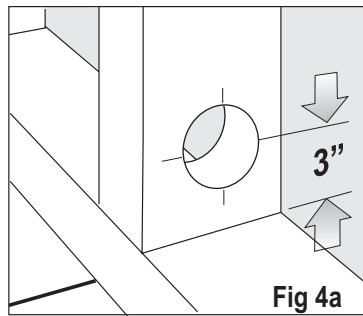


**NOTE: - Consideration MUST be given to thickness of mud and tiles. Finished threshold position will be forward of this profile line !**



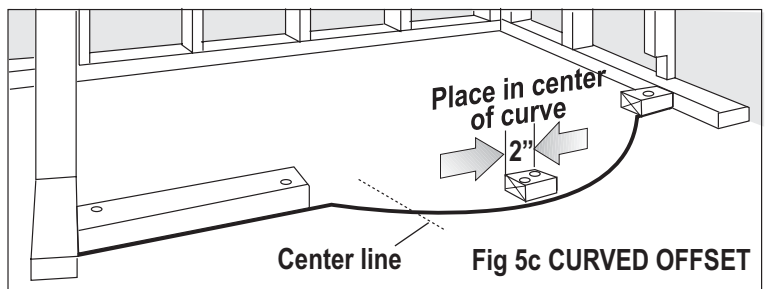
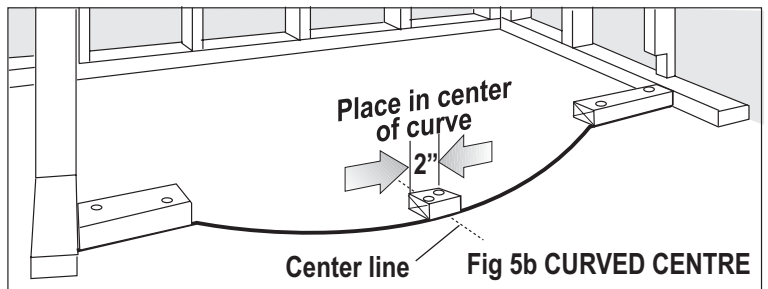
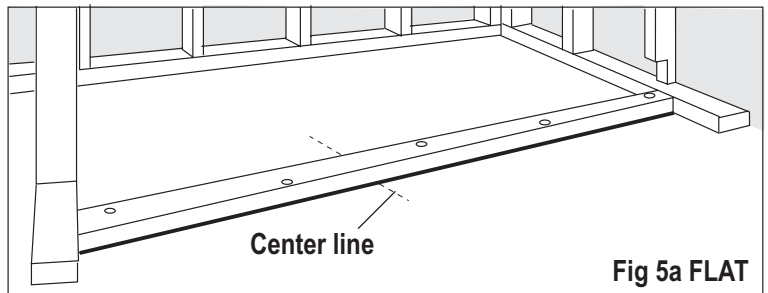
#### 4. Notching / Drilling Stud

Depending on faucet position it may be necessary to notch or drill stud or studs as shown to allow water supply pipe from control valve to Pre-Plumbed Threshold.



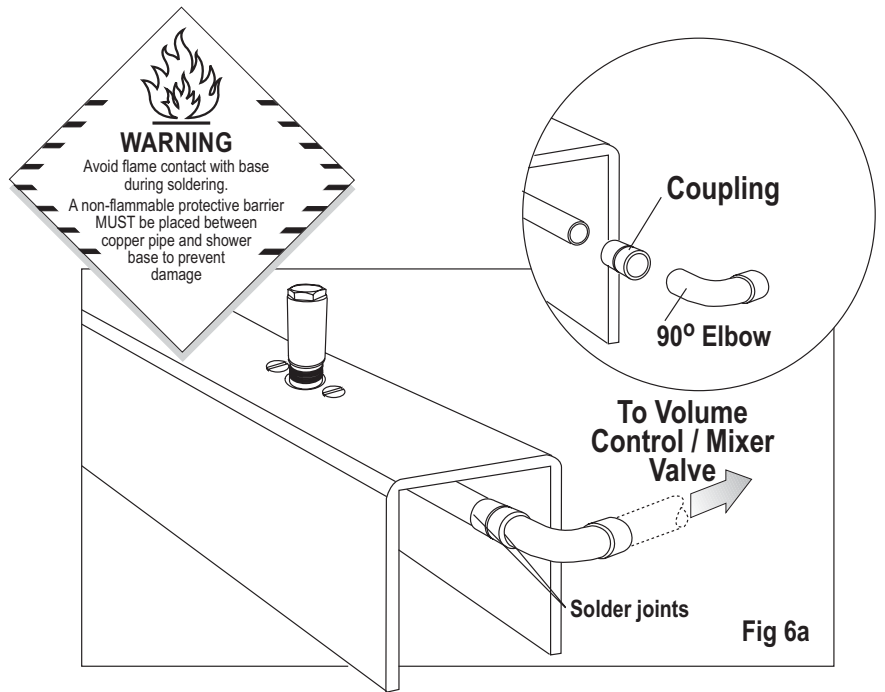
#### 5. 2"x 4" Support

Attach a 2"x 4" to sub floor as shown ensuring that support is positioned to the marked threshold profile line as shown in 5a, 5b or 5c.



## 6. Threshold Plumbing Supply

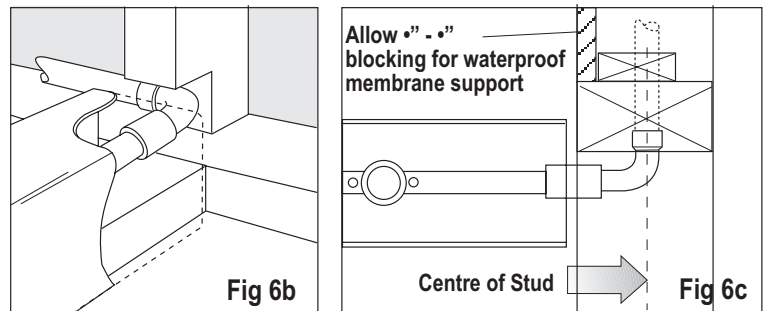
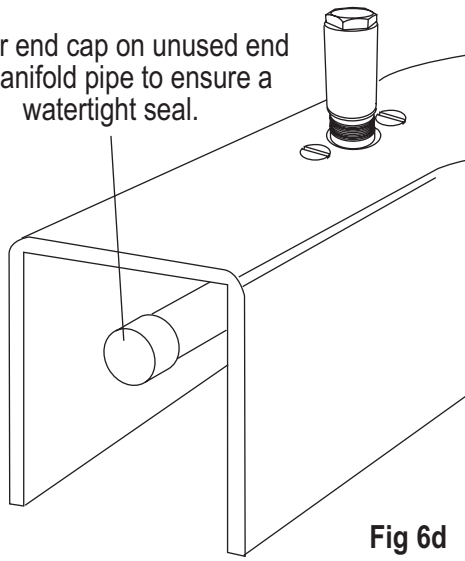
Oben recommends that the copper fittings (Coupling and 90° elbow) are soldered on to threshold manifold, before fixing Pre-Plumbed Threshold to 2"x4" lumber support.



### NOTE:

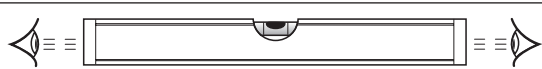
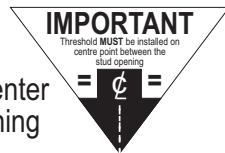
For **Curved Centre Door thresholds**, copper manifold is pre-plumbed to either end. The end not used, **MUST** be crimped and soldered (Fig 6d)

Solder end cap on unused end of manifold pipe to ensure a watertight seal.



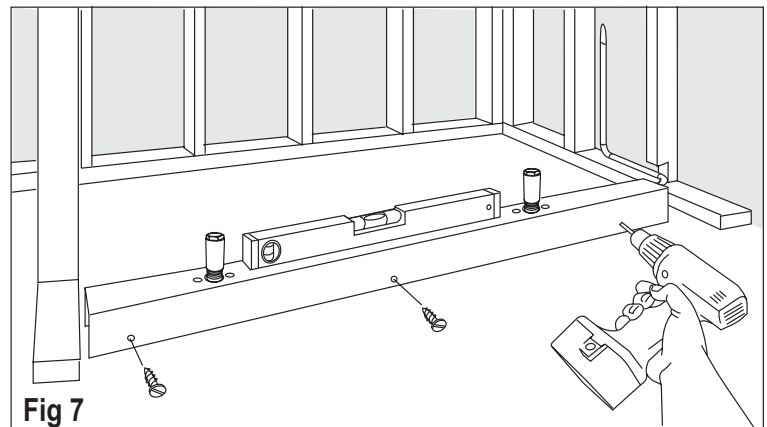
## 7. Attach Threshold to 2"x 4"

Place 'Pre-Plumbed Threshold' over 2" X 4". Ensure threshold is level and center points are aligned before attaching as shown.



### IMPORTANT

Threshold **MUST** be installed level  
IMPROPER INSTALLATION VOIDS WARRANTY



## 8. Water Connection and Leak Test

Complete threshold manifold water supply to faucet / flow control valve. Leak test Pre-Plumbed Threshold

### IMPORTANT

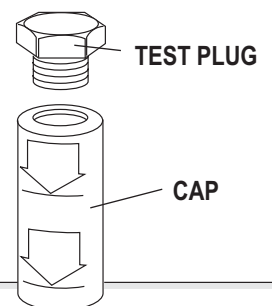
It is the installers responsibility to ensure all plumbing joints are watertight and leak free before continuing with installation.

**Do not remove yellow Protection caps or Test plugs until shower door has been installed.**

### WARNING

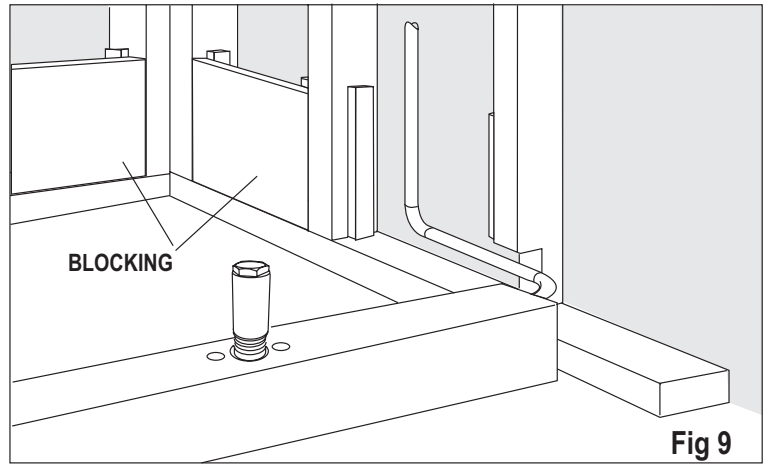
Test Plugs provided for leak testing purpose only.  
Do not leave pressurised.

**FAILURE TO COMPLY  
VOIDS WARRANTY**



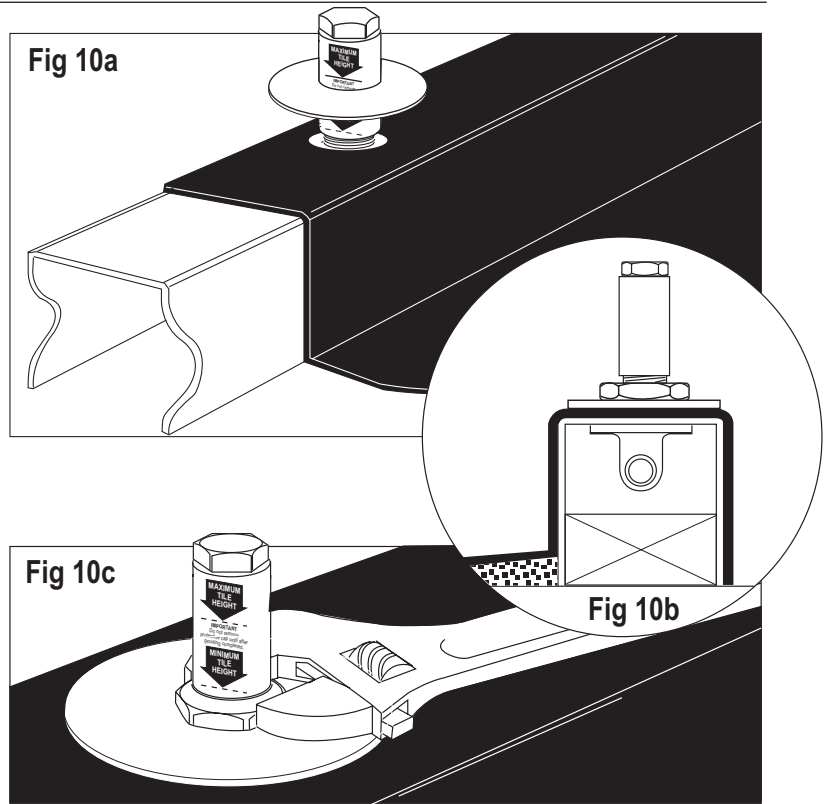
### 9. Install Membrane Support (Blocking)

Blocking must be installed between wall studs, finishing flush with studs, to adequately support the installation of waterproofing membrane. The waterproof membrane must be installed 6" above dam height.



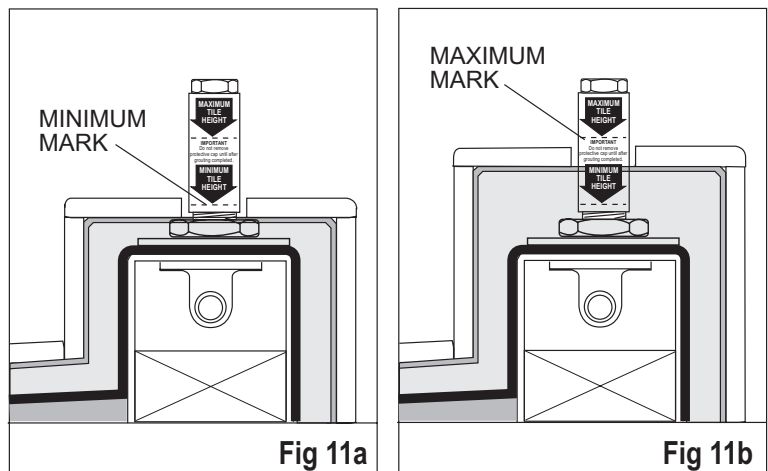
### 10. Waterproof Membrane Application.

Apply an approved water proofing membrane, to threshold and pre-sloped shower floor, as shown. Membrane MUST be applied around union fitting then clamped into position by tightening nut and washer to form watertight seal.



### 11. Ceramic Tile Application

Apply mud, adhesive and ceramic tiles as shown. Note: Finished tile MUST be between Minimum and Maximum height as indicated on protective cap.

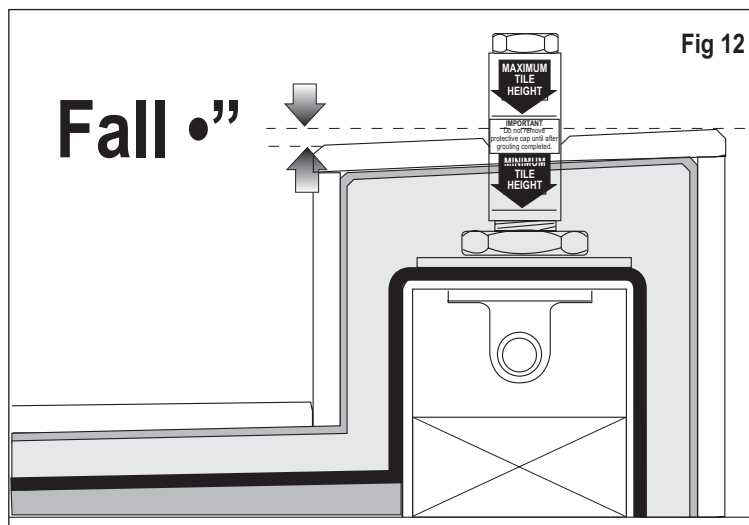


## 12. Threshold Sill Slope



### IMPORTANT

Sill surface **MUST** have a 1/4" slope back into shower as shown.

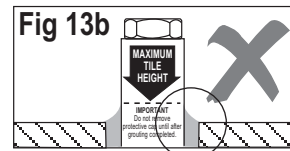
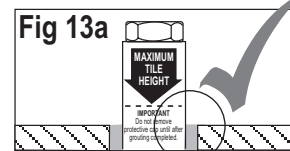
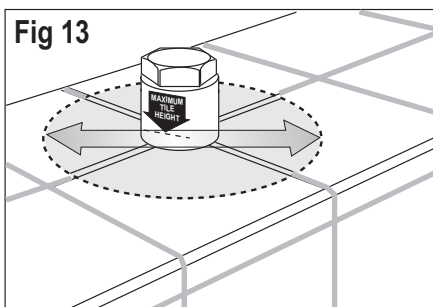


## 13. Grouting.

Ensure any grout build up from around Plastic Protection Cap is wiped clean and free of build-up to allow for mounting of washers and cam assembly at later stage.

### IMPORTANT:

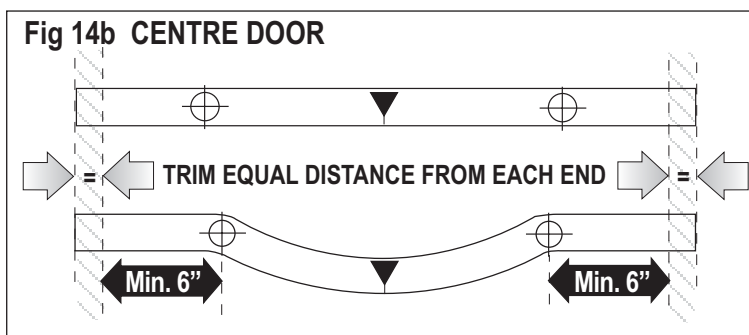
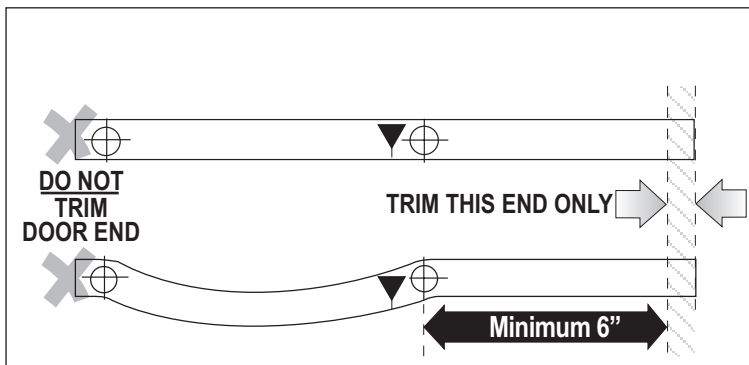
Do not remove yellow Protection cap or Test plugs until shower door has been installed.



## 14. Custom cut to length for non-standard openings

If trimming of threshold is required to fit non-standard openings, the following steps must be taken:

- A. For Offset Door Thresholds, cut only from opposite end of door Fig 14a. The center position marked on threshold is no longer used.
- B. For Center Door Thresholds, cut equal amount from each end Fig 14b. The center position marked on threshold is still used
- C. Flat Door Only models can not be trimmed.



### IMPORTANT:

When trimming threshold, use a fine tooth hack saw.

Oben USA Inc.

T: 877- 401- 4750 F: 877- 401- 4755  
www.oben.us E: info@oben.us

**oben**®  
SINCE 1923

Oben reserves all rights to alter designs, materials and specifications without notice. All dimensions given are approximate only and should be checked prior to installation. Products in this brochure are subject to Intellectual Property Protection and International Patents. © Oben USA Inc. 2004 ® Registered Trademarks. TM Trademarks Oben products protected by US and foreign pending patents.