

# oben<sup>®</sup>

---

SINCE 1923

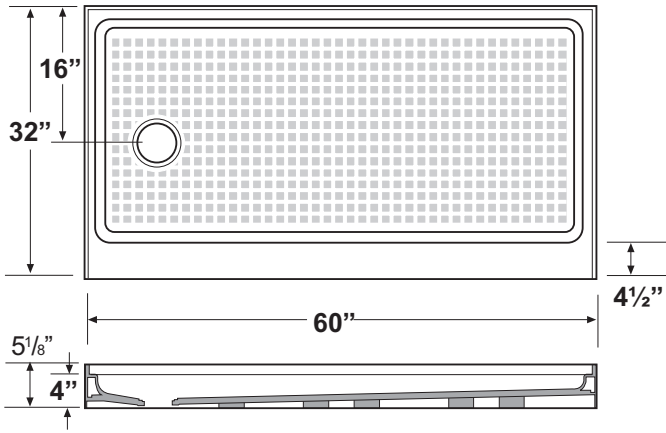
## Acrylic Alcove Shower Base Installation and Plumbing Guide



# Acrylic Alcove Base

## ROUGH-IN INSTRUCTIONS

### Oben 60" x 32" Acrylic Shower Base - Left Hand Drain



### PRODUCT INFORMATION

| MODEL        | 60"X32" LEFT                                     | 60"X32" RIGHT | 48"X36" CENTER |
|--------------|--|---------------|----------------|
| PRODUCT CODE | O-12001-L  | O-12002-R     | O-12012        |
| SIZE         | 60" x 32"  | 60" x 32"     | 36" x 48"      |
| WEIGHT       | 50 lbs   | 50 lbs        | 45 lbs         |
| CONSTRUCTION | 1 PIECE ACRYLIC                                  |               |                |
| OUTLET       | 2" DRAIN   |               |                |
| STANDARDS    | MEETS OR EXCEEDS:<br>ANSI Z124.2<br>IAPMO / cUPC |               |                |

### IMPORTANT

Oben recommends a licensed contractor perform the installation in accordance with the attached fitting instructions.



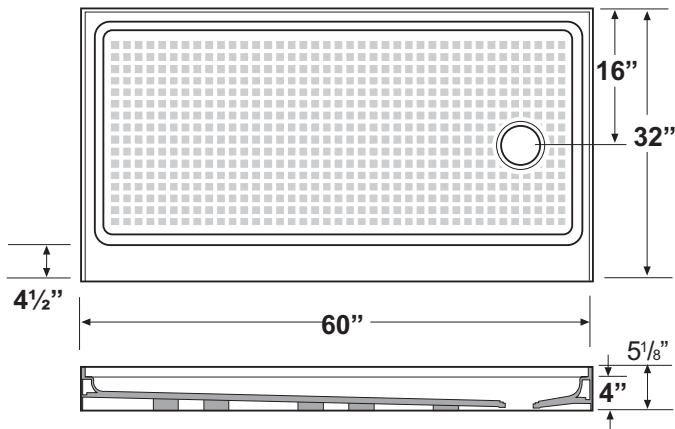
### CAUTION

Product warranty void if shower base not installed in accordance with manufacturers recommended fitting instructions.

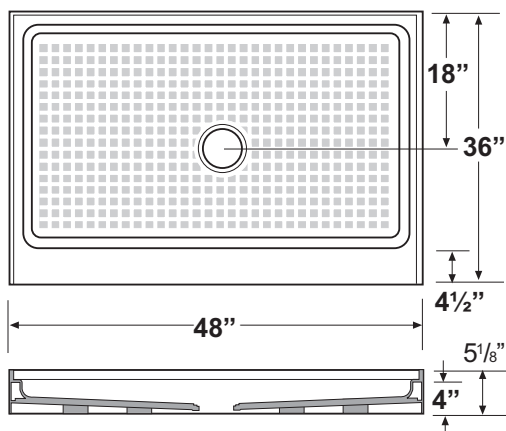
We reserve the right to alter design and specifications without notice. All dimensions are approximate and should be checked prior to installation.

**Note:** Building Codes and Regulations can vary from State to State. It is the Installers responsibility to ensure that installation is in accordance with Local Building Authority.

### Oben 60" x 32" Acrylic Shower Base - Right Hand Drain

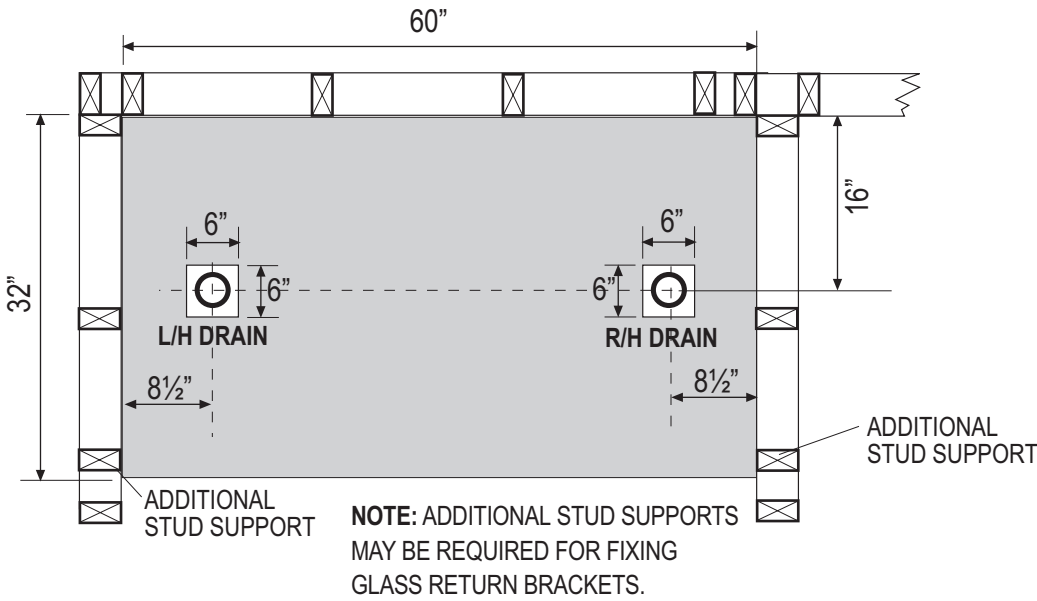


### Oben 48" x 36" Acrylic Shower Base - Center Drain

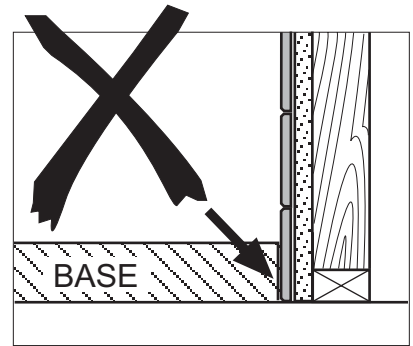
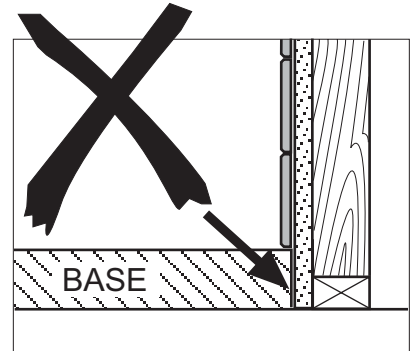
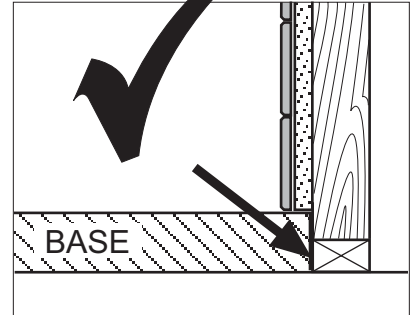


# 1. WALL DIMENSIONS

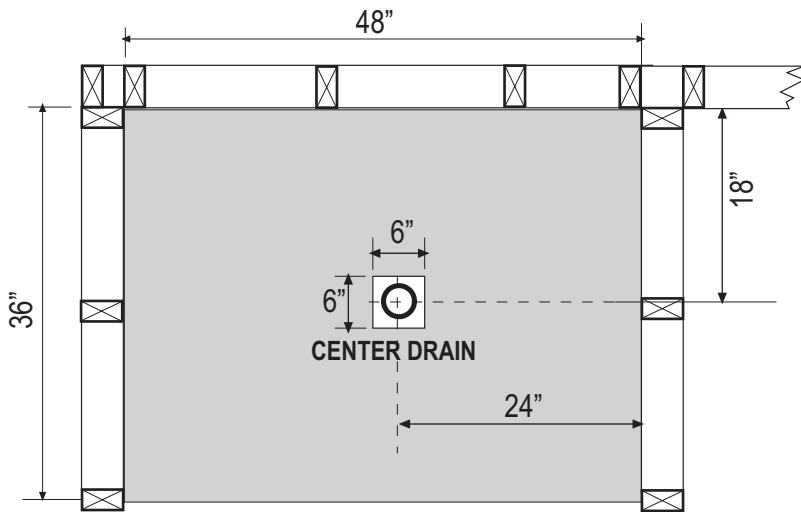
## Oben 60" x 32" Acrylic Shower Base - Left or Right Hand Drain



**IMPORTANT: BASE *MUST* BE INSTALLED AGAINST STUD WALL.**



## Oben 48" x 36" Acrylic Shower Base - Center Drain



**NOTE:** If a firewall is required, roughing-in dimensions will be from finished surface of firewall material. refer Fig.1b

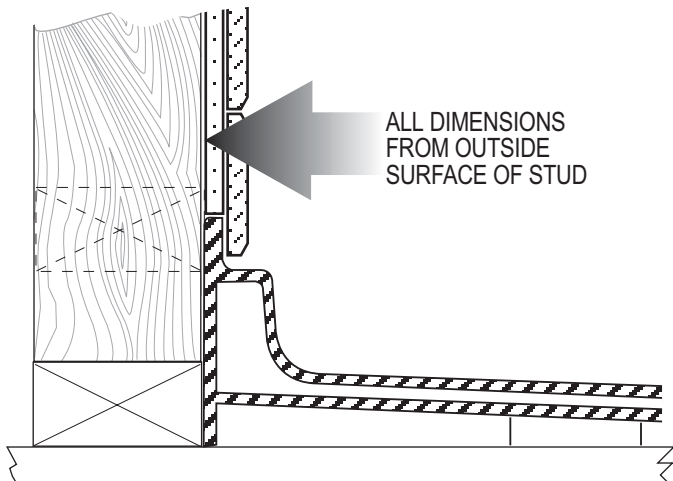


Fig. 1a

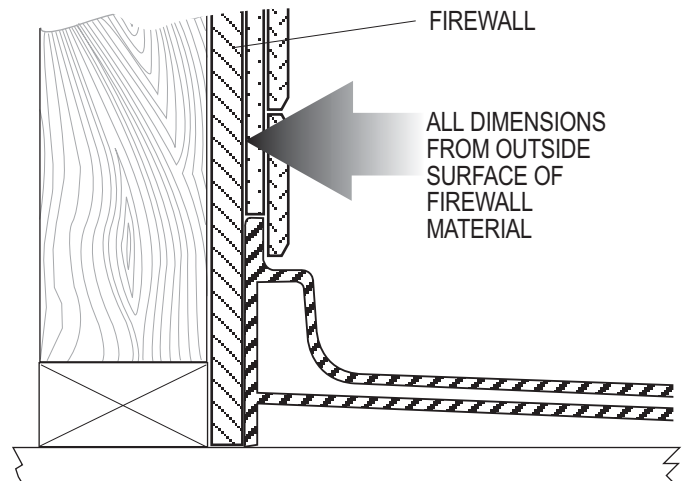


Fig. 1b

# 2. PLUMBING REQUIREMENTS

## 2.1 DRAIN INSTALLATION

Install a 2" (5cm) drain pipe.

A 6" x 6" (150 x 150mm) recess is required in slab floor construction to accommodate drain fitting as shown.



**IMPORTANT** Drain pipe **MUST** finish **FLUSH** with sub floor as illustrated Fig 2.1a and 2.1b.

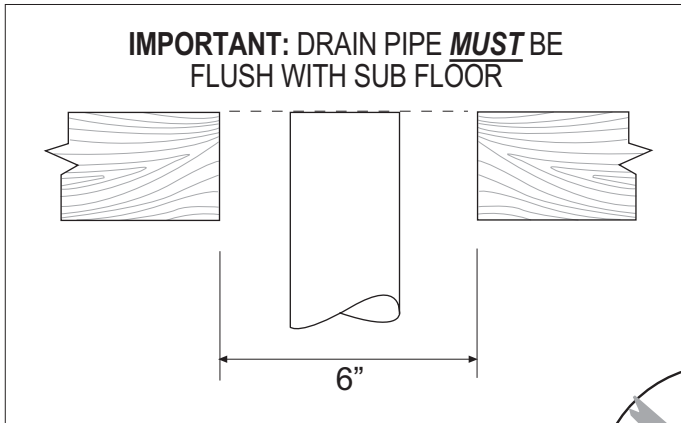


Fig. 2.1a Timber floor installation

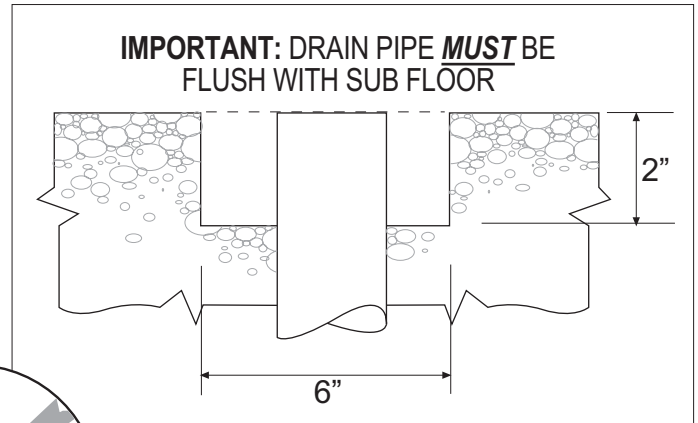


Fig. 2.1b Slab floor installation

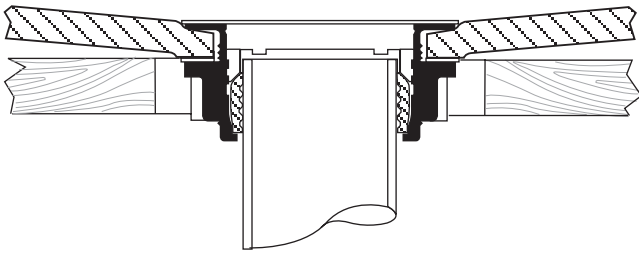
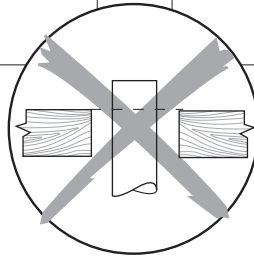


Fig. 2.1c Timber floor final installation

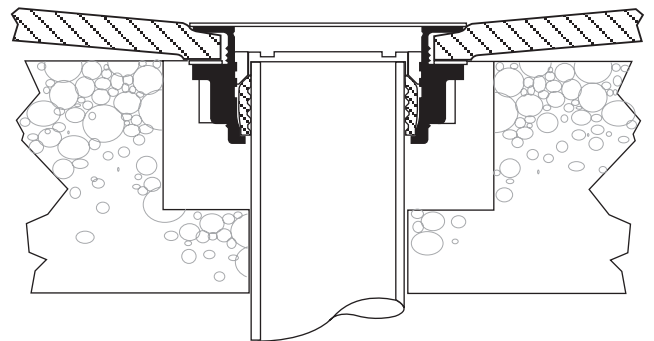


Fig. 2.1d Slab floor final installation

# 3. Acrylic Alcove Shower Base

## INSTALLATION INSTRUCTIONS

**Important: Read complete instructions before beginning shower installation**

### 3.1. Pre Installation procedure.

Remove shower base from protective carton and inspect for transit damage. Should any inspection reveal damage or defect **'Do not install'** shower base.

*Oben is not responsible for any sequential transit damage or defects that could have been discovered, repaired or replaced prior to installation, by failing to carry out correct product inspection prior to installation.*

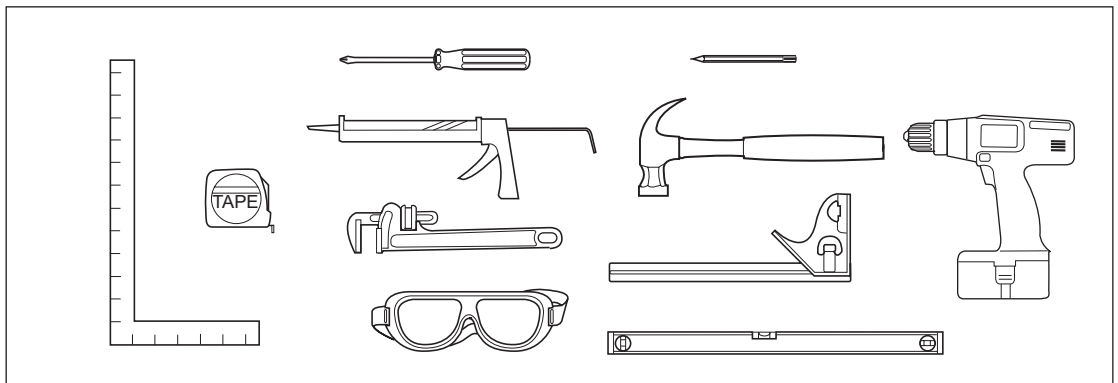
*Installations of damaged or defective product claimed after the unit has been installed are expressly excluded from warranty.*

Protect the gloss interior of the shower base during installation.

When fire rated wall is specified, stud-opening dimensions are to exposed face of the wall board.

#### Recommended Tools

- Silicone Gun + Tube
- Measuring tape
- Pencil
- Spirit Level
- Screw driver
- Cordless drill
- Square
- Claw hammer
- Pipe wrench
- Safety Goggles / glasses



### 3.2. Prepare Sub floor.

Your Oben Acrylic Shower Base has integral self-levelling support feet for ease of installation.

If the sub floor is level no further floor preparation is necessary.

If the sub floor is not level mix and apply a low shrink bedding compound material (Grout, mortar, plaster etc.) over the entire uneven sub floor area and level where base is to be installed.

The bedding material must not be used under the front apron

**The bottom of the integral feet Must make full contact with the sub floor**

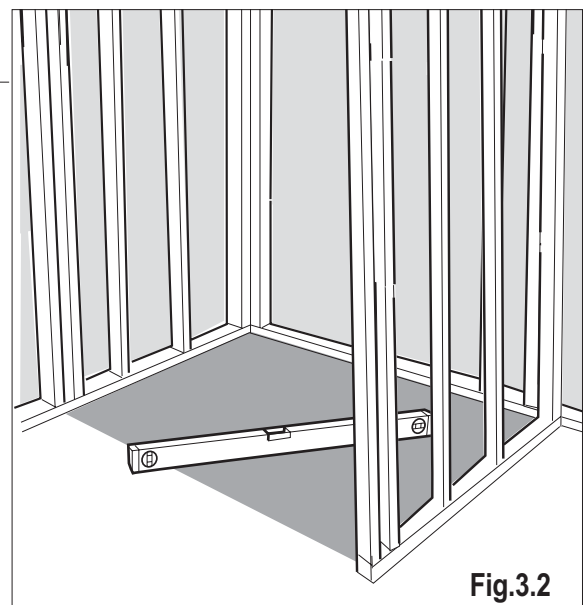


Fig.3.2

### 3.3. Fit shower drain assembly

Apply silicone caulk between the drain flange and the top of the shower drain recess to provide a water tight seal.

Assemble shower drain components as shown Fig.3.3a, using the tool (included) to tighten sealing nut into drain body Fig.3.3b.

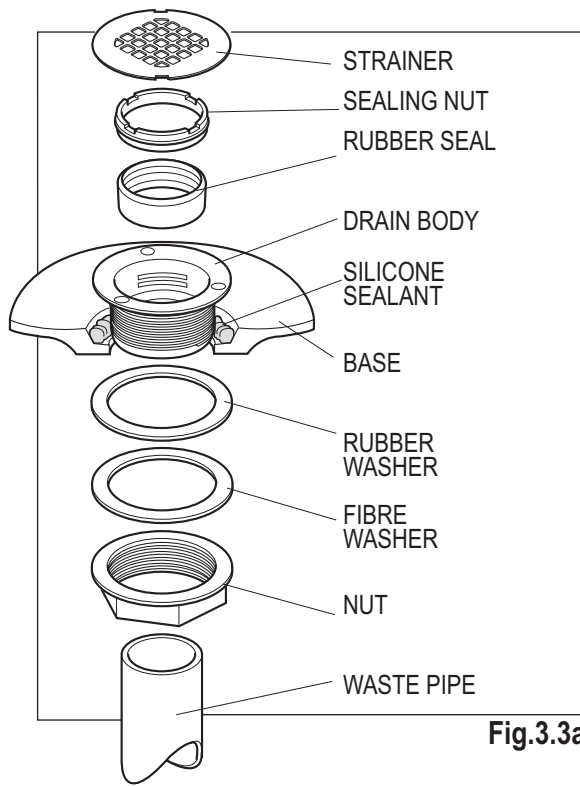


Fig.3.3a

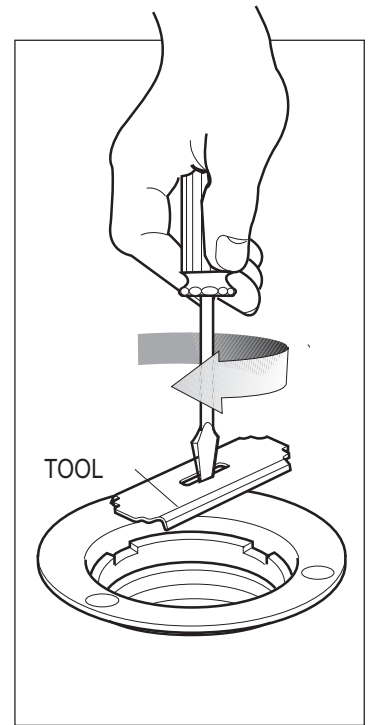


Fig.3.3b

### 3.4. Install base.

Using a flathead nail, fix tiling lip retainer brackets Fig 3.4.

Complete drain assembly.

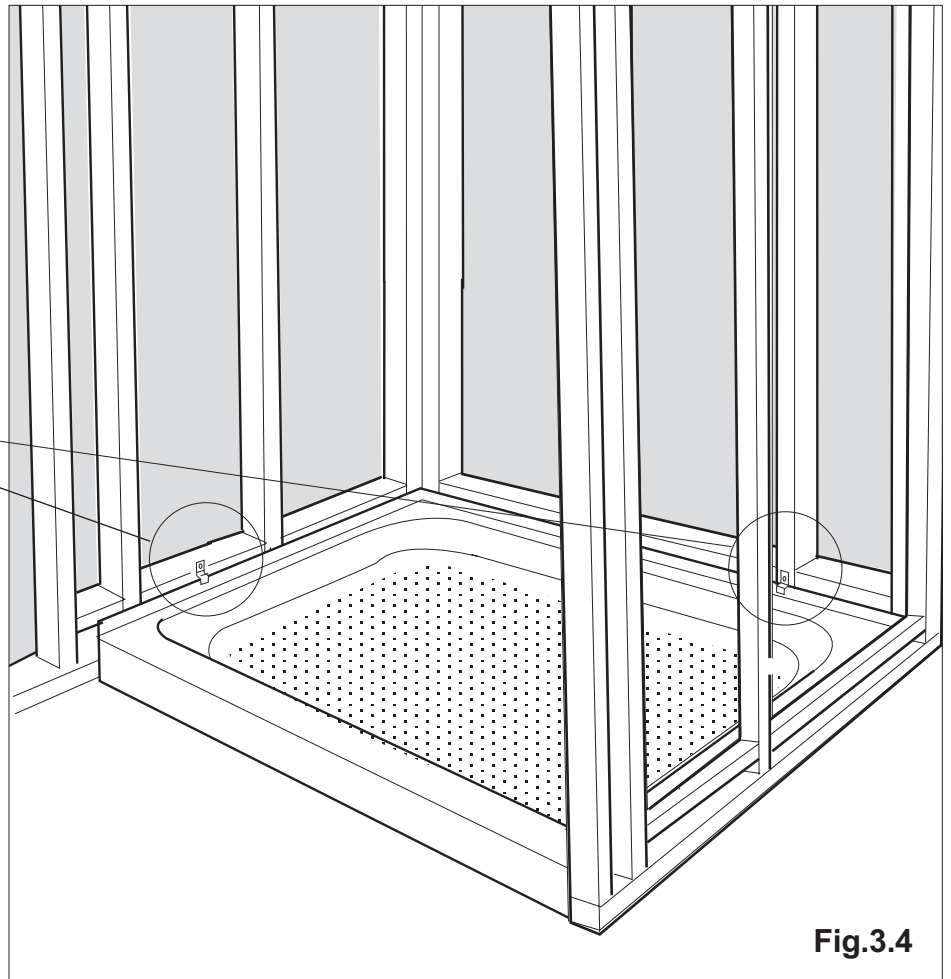
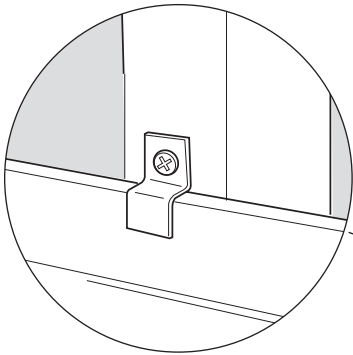


Fig.3.4

# 4. WALL INSTALLATION



## 4.1. IMPORTANT

For correct fitting of glass enclosure, finished wall thickness **MUST NOT** exceed 1" (25mm) from stud face Fig.4.1a.

If a firewall is required, maximum dimensions will be from the finished surface of firewall material Fig.4.1b.

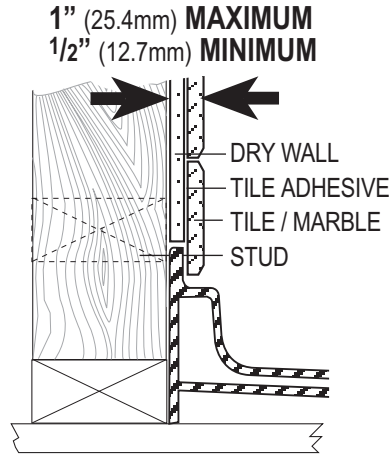


Fig.4.1a

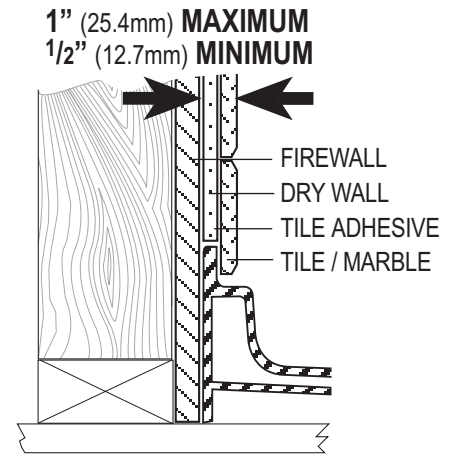
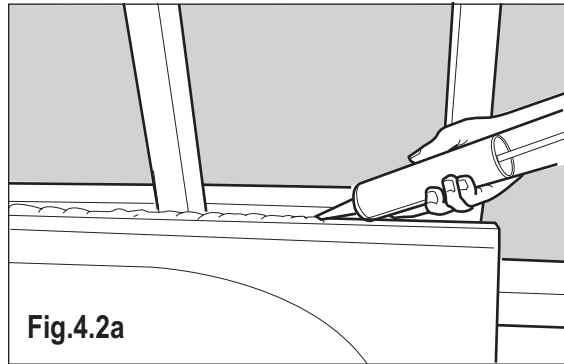


Fig. 4.1b

## 4.2. Dry Wall installation

Apply 1/4" bead of silicone caulking to top surface of tiling bead as illustrated Fig.4.2a.

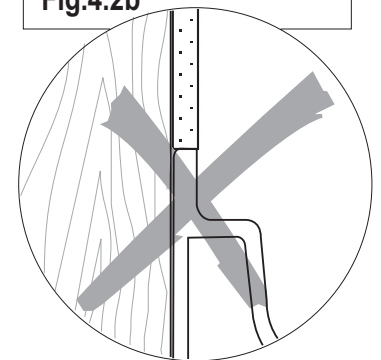
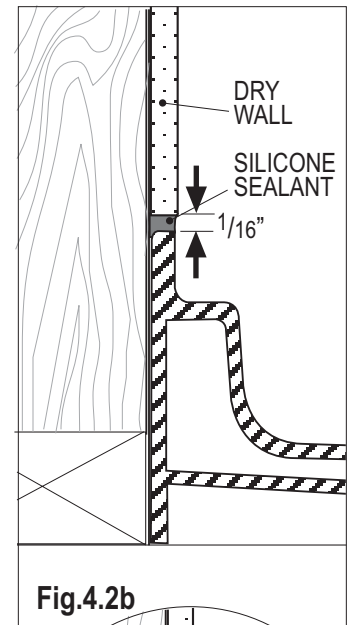
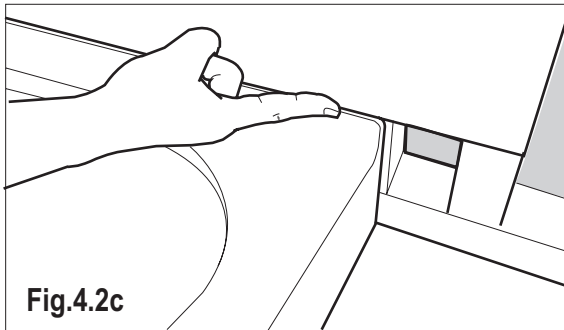
Place dry wall sheeting down on to silicone caulking bead (ensure 1/8" clearance from tiling lip) and fasten on to studs as per manufacturers recommended installation method Fig.4.2b.



## CAUTION

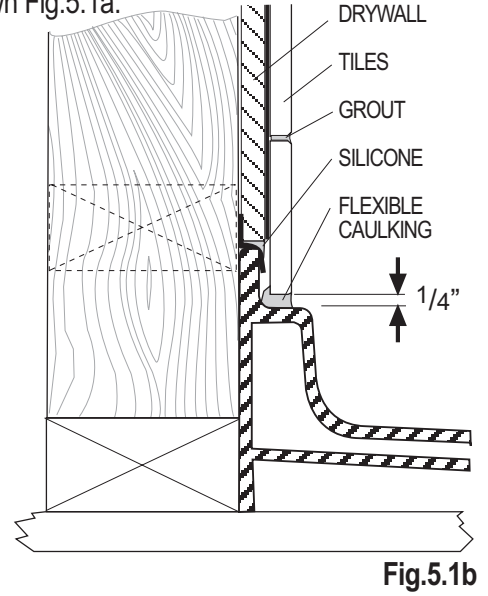
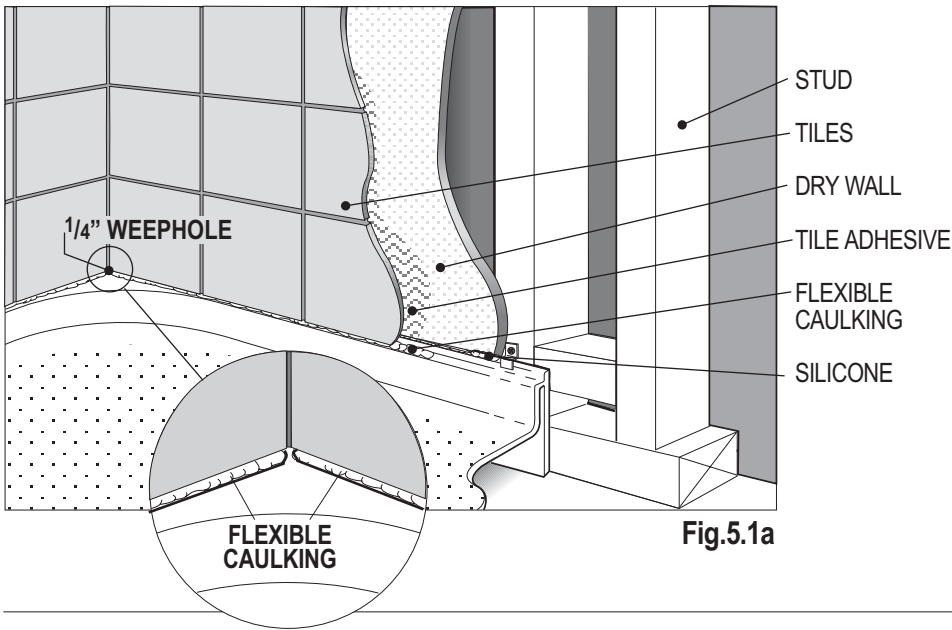
Watertight seal **MUST** be continuous as illustrated Fig.4.2a. Failure to comply may result in water damage to sub-floor and/or walls.

Smooth out excess silicone caulking immediately before setting to ensure a watertight joint Fig.4.2c



# 5. TILE INSTALLATION AND CAULKING

5.1. Install finishing materials and caulk base leaving 1/4" weepholes in corners as shown Fig.5.1a.



**oben**<sup>®</sup>

Customer Support Center  
 1 877 401 4750  
 Monday-Friday 7am - 5pm Pacific Time

Oben reserves all rights to alter designs, materials and specifications without notice. All dimensions given are approximate only and should be checked prior to installation. Products in this brochure are subject to Intellectual Property Protection and International Patents. © Oben USA Inc. 2007 ® Registered Trademarks. TM Trademarks. Oben products protected by US and foreign pending patents.